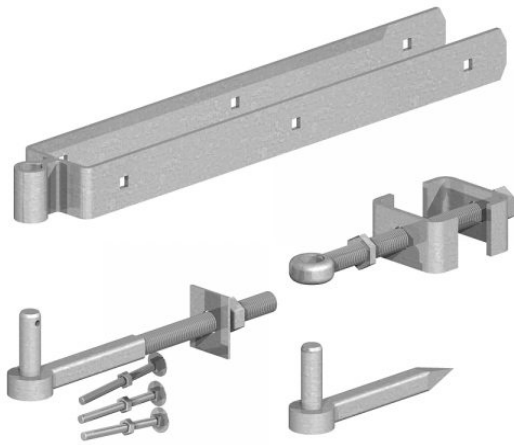


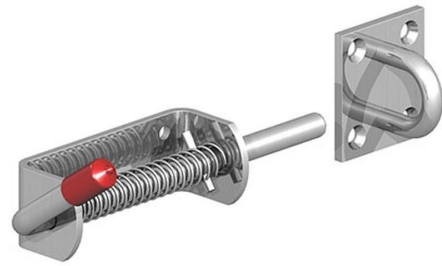
Our galvanised field, driveway and entrance gate fittings are heavily galvanised and suitable for all types of agricultural and domestic applications, from complete hanging "kits" for timber field and driveway gates, to specialist fasteners for farm, livestock and equestrian environments.

FIELD GATE FIXINGS



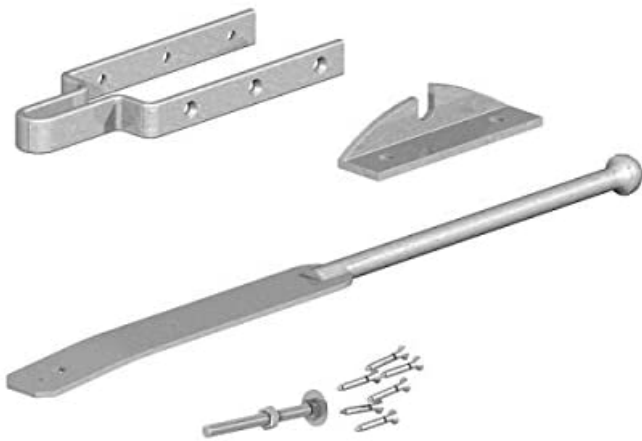
ADJUSTABLE STRAP WITH HOOKS

Code: 0336001 Size: 24"



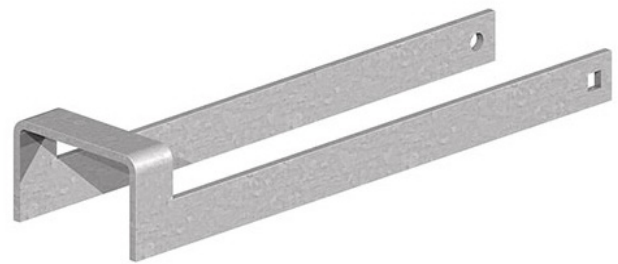
SPRING LOADED ANIMAL BOLT

Code: 5160122 Size: 0.5"



SPRING FASTENER CENTRAL CLOSING

Size: 24"



THROW OVER LOOP

Code: 5603501 Size: 14"

ALL PRICES SUBJECT TO VAT



CONTACT US

01543 425893 / info@treeway.co.uk

Cannock Wood Industrial Estate . Cannock Wood Street . Cannock . Staffordshire . WS12 0PL
www.treeway.co.uk



TFBF6